

19" 1U, 2U, 3U Cantilever shelf

1U cantilever metal shelf

Model: **MS-1U350** - 1U shelf with 350mm depth , / **MS-1U450** -1U shelf with 450mm depth



2U cantilever metal shelf



MS-2U255-10

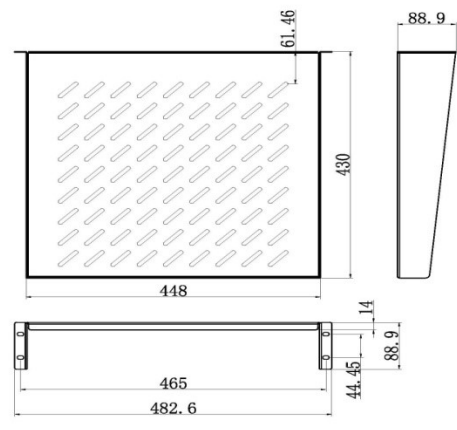
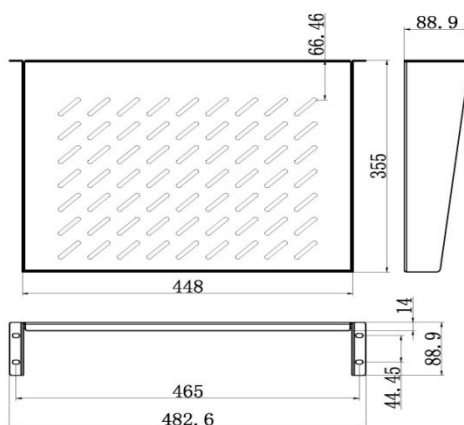
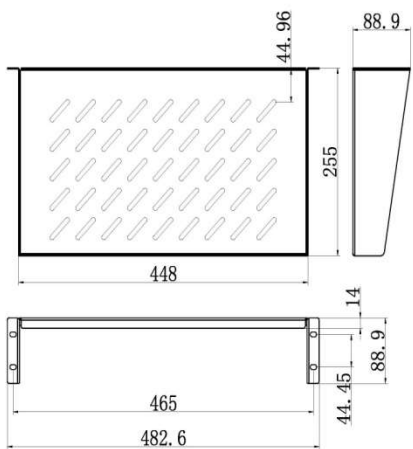
MS-2U355-14

MS-2U430-17

2U shelf with 255mm depth

2U shelf with 355mm depth

2U shelf with 430mm depth

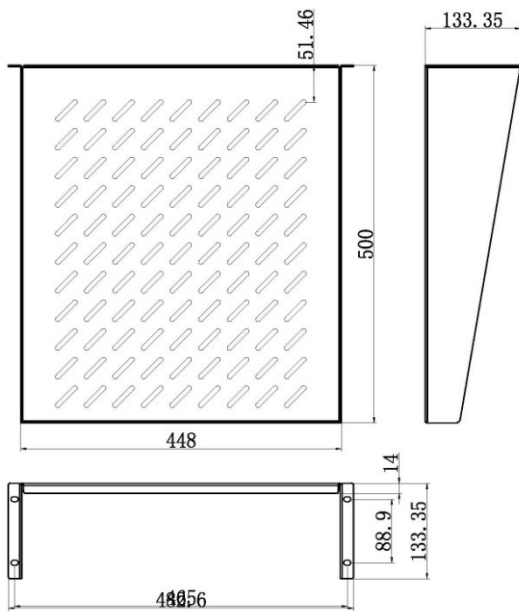


3U cantilever metal shelf



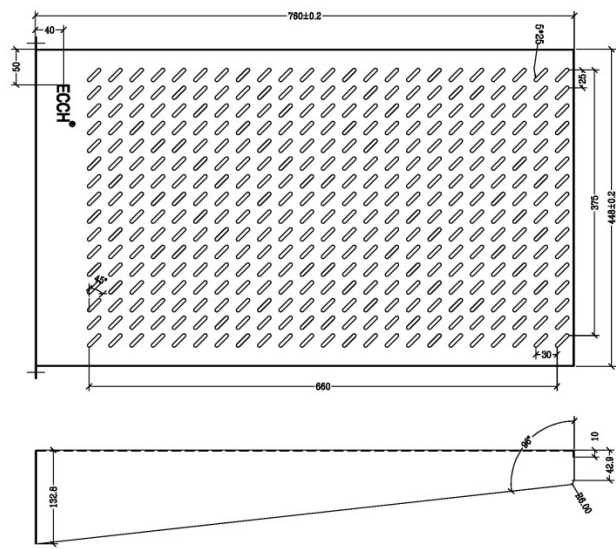
MS-3U500-20

3U shelf with 500mm depth ,



MS-3U760-30

3U shelf with 760mm depth



NO89, Sec. 2, Gaotiezhanqian W. Rd., Zhongli City, Taoyuan County 320, Taiwan
website : www.morstar.com.tw E-mail: ivy.lee@mor-star.com